



CONTROLLED BOLTING SOLUTIONS



- Square Drive Torque Wrench
- Hex Drive Torque Wrench
- High Performance Torque Pumps
- Bolt/Stud Tensioners
- Electric/Pneumatic Torque Wrenches
- Electric Shear Wrenches



ISO 9001:2008

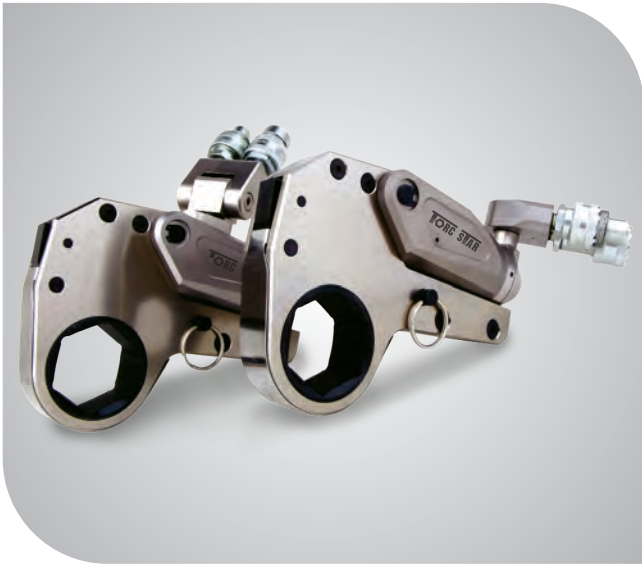


TORC STAR

COMPLETE BOLTING SOLUTIONS

www.torcstar.com

HEX DRIVE TORQUE WRENCH



FEATURES :

- Cylinders & low profile cassettes have been engineered to give ultra slim compact low clearance tooling with a small nose radius
- Novel anti-loosening quick-acting coupling to ensure an unblocked oil path
- The 360°* 180° degree hose uni swivel allows easy fit in confined areas, and eliminates hose kinking. It is unbeaten for durability, and unequalled accuracy.
- The material of Hydraulic Torque Wrenches are Aluminum Titanium alloy and super high strength alloy steel for increased strength, intensity and durability of the tool. High repeatability, a precise design is with accuracy $\pm 3\%$
- Check pawl design critical for overcoming the back turn of the wrench, and improving both efficiency and torque precision
- One-piece lengthened design, longer arm of force, comprehensively improved reliability
- Hollow design, more accurate torque and more convenience due to the direct action of wrench on nut
- Expanding the use range of the wrench through a transition piece
- Cover the nut size from 3/4" - 6.7/8"

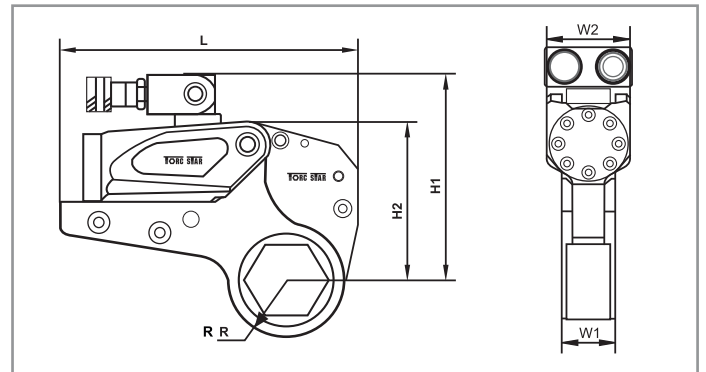
COMPATIBILITY : ANSI & API STANDARD flanges

NOTE: Customized Hex reducers for non-standard flanges.

OPTIONAL ACCESSORIES :

- Long Extended Reaction Arm
- Square drive adapter kit.
- Hex Reducers
- Stack Socket / Insert Socket

HEX DRIVE TYPE



Model Nos	Units	THTW-2H	THTW-6H	THTW-8H	THTW-20H	THTW-25H	THTW-45H
Torque Range	Nm	230-2410	580-6470	1090-11770	1850-18520	2307-23072	4180-44600
	Ft.Lbs	172-1935	400-4800	777-8726	1370-13722	1709-17090	3038-33038
Nut on the side	mm	19-60	34-80	41-105	50-117	95-135	110-175
	inch	3/4--2.3/8	1.5/16-3.1/8	1.5/8-4.1/8	2-4.1/2	3 3/4 - 4 1/2	4.1/4-6.7/8
Overall Length L	mm	196.4	246	301	361	400	441
H1	mm	128.5	187	216	239	246	315
H2	mm	105	145.7	178	204	224	285
Width at the link W1	mm	32	42	53	64	70	85
Width at the cylinder W2	mm	51	66	83	99	110	131
Nose Radius (R)	mm	27 to 46	36 to 61	46 to 78	60 to 87	99	78 to 128
Drive Weight	Kg	1	2	3.3	5.5	6.5	11.4
Ratchet Weight	Kg	1.7	4.6	8.4	11.6	16.5	30

HIGH PERFORMANCE TORQUE PUMPS

ELECTRIC PUMP



ELECTRIC PUMP



PNEUMATIC PUMP



MODEL NO	TPH-3TW
DRIVE	ELECTRIC
STAGE	2
MAX. PRESSURE	700Bar
9.55LPM@70bar FLOW	0.99LPM@700bar
POWER	1.1KV
OIL TANK CAPACITY	5 Ltrs
WEIGHT	35 KG
VOLTAGE	230 V

MODEL NO	TPH-3TW-3
DRIVE	ELECTRIC
STAGE	3
MAX. PRESSURE	700 Bar
7LPM@70bar FLOW	1.6LPM@200bar 0.9lpm@700bar
POWER	1.1 KW
OIL TANK CAPACITY	7 Ltrs
WEIGHT	26 KG
VOLTAGE	230 V

MODEL NO	TPP-3TW-3
DRIVE	AIR
STAGE	3
MAX. PRESSURE	700 Bar
7LPM@70bar FLOW	1.6LPM@200bar 0.9lpm@700bar
POWER	1.1 KW
OIL TANK CAPACITY	7 Ltrs
WEIGHT	23 KG
AIR POWER	5-8 Bar

ELECTRIC SHEAR WRENCH -230V, SINGLE PHASE

Model	Bolt size (mm)	Max Torque	Speed	Weight
TSW-16	M12-M16	320 NM	36 RPM	3.4kg
TSW-20	M12-M20	540 NM	17 RPM	4.1kg
TSW-22	M16-M22	911 NM	20 RPM	5.6kg
TSW-24	M16-M24	1200 NM	14 RPM	7.1kg
TSW-27	M22-M27	1700 NM	12 RPM	7.8kg
TSW-30	M24-M30	2500 NM	5 RPM	9.2kg
TSW-36	M30-M36	5000 NM	2.5 RPM	13.5kg



Different sizes of sockets are available

Shear wrenches are mainly used to fasten the TC (Torque Control) bolts which are more convenient and safe to use. The applications of Shear Wrenches are at:

- Erection of Power Plant Structure
- Steel Bridge Construction
- Mining Construction

SQUARE DRIVE TORQUE WRENCH



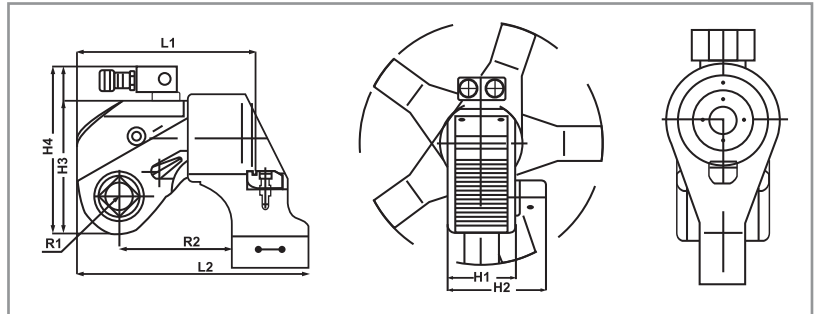
FEATURES :

- The material of Hydraulic Torque Wrenches are Aluminum Titanium alloy and super high strength alloy steel for increased strength, intensity and durability of the tool. High repeatability, a precise design is with accuracy $\pm 3\%$
- The 360°* 180° degree hose uni swivel allows easy fit in confined areas, and eliminates hose kinking. It is unbeaten for durability, and unequalled accuracy.
- Square drive Torque Wrench : The lock of trigger is pressed slightly, and it may as you please situate the reaction arm of 360° trimming style on the support.
- Light weight, ergonomic design for easy handling & an easy fit even in application where access is limited.
- Check pawl design critical for overcoming the back turn of the wrench, and improving both efficiency and torque precision.
- Anti reverse pawl designed for preventing ratchet return to maintain required torque.
- A comparison list of pressures and torques on the dust cover for quick searching of torque value.

OPTIONAL ACCESSORIES :

- Extended Reaction Arm
- Customized Reaction Arm
- Impact Sockets

Note: Torc Star recommends use of Torc Star standard accessories ensuring precise performance & best suitability



SQUARE DRIVE TYPE

Model Nos	Units	THTW-2S	THTW-5S	THTW-8S	THTW-10S	THTW-15S	THTW-20S	THTW-25S	THTW-35S	THTW-50S	THTW-70S
Square Drive	Inch	¾	1	1.1/2	1.1/2	1.1/2	2.1/2	2.1/2	2.1/2	2.1/2	2.1/2
Torque Range	Nm	164-1760	433-4332	742-7420	1015-10430	1509-15090	1940-19409	2504-26447	3309-34626	4741-47414	6925-69247
	Ft.Lbs	121-1298	319-3195	547-5473	749-7693	1113-11130	1431-14315	1847-19506	2440-25539	3497-34971	5108-51074
Body Length (L1)	mm	130	170	202	228	237	273	287	323	351	376
Overall length (L2)	mm	182	249	286	326	336	391	433	464	494	528
Tool Width (H1)	mm	52	70	81	90	100	110	120	138	153	162
Overall Width (H2)	mm	77	98	125	134	144	164	187	206	217	226
Tool height (H3)	mm	96	127	149	172	181	206	221	258	279	291
Overall Height (H4)	mm	133	165	184	207	216	241	256	293	315	326
Tool Radius											
Around Bolt (R1)	mm	25.8	34.8	39.8	46.8	50.8	56.8	59.8	70.8	76.8	78.8
Reaction Reach (R2)	mm	102	140	160	184	192	223	248	256	271	295
Weight	Kg	2	4	7	10.6	12.9	20	25	33.8	43	52

BOLT TENSIONERS

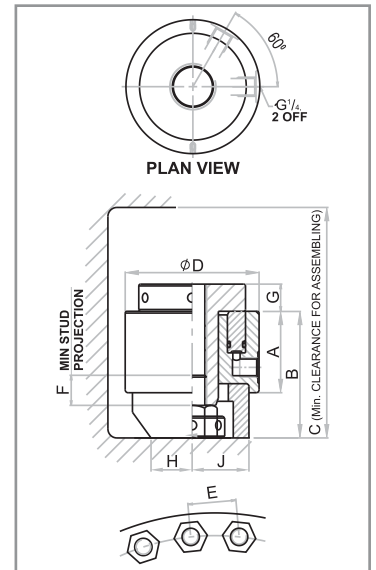


Torc Star Bolt Tensioners are used for swift method of tightening & opening by tensioning bolt / studs. After applying the oil pressure by Torc Star Pneumo Hydraulics pump, load cell lift the puller up side i.e. tightly gripped with stud bolt thread. This cause release of nut and it becomes loosen. Nut can be easily rotated with nut rotating Socket and Tommy bar and tightening completed the same process is used for swift loosening operating It mainly consists of Load Cell, puller, nut rotating sockets & bridge.

Typical Applications

- Pipeline Flanges
- Pressure Vessels
- Valves and Pumps
- Manways
- Heat Exchangers
- Diesel Engines
- Cranes
- Presses
- Steam and Gas Turbines
- Shaft Couplings
- Coal and Rock Grinders
- Catalyst Reactors
- Wind Turbines
- Electric & Steam Generators

Model No	Bolt / Stud Size		Cylinder (tons)	Stroke Cap (mm)	Effective Area (cm ²)	Dimension								Approx. Weight (Kg)	
	(metric)	(Inch)				A	B	C	D	E	F	G	H		J
THT-3	M16	-	30	10	15.7	62	90	168	75	49	28	16	30	32.5	2
	M18	3/4"								49					
	M20	-								51					
	M22	7/8"								51					
	M24	1"								60					
THT-5	M27	1 1/8"	50	15	33	60	106	187	102	60	44	22	36	47	4
	M30	-								72					
	M33	1 1/4"								74					
	M36	1 3/8"								76					
THT-9	M39	1 1/2"	90	15	60	60	120	208	133	88	56	28	49	61	6
	M42	1 5/8"								90					
	M45	1 3/4"								94					
	M48	1 7/8"								100					
	M52	2"								104					
THT-13	M48	1 7/8"	125	15	83	62	135	231	163	110	68	34	59	73	10
	M52	2"								112					
	M56	2 1/4"								118					
	M60	-								126					
	M64	2 1/2"								126					
THT-19	M64	2 1/2"	185	15	123	62	150	254	193	136	80	42	66	86.5	15
	M68	-								144					
	M72	2 3/4"								146					
	M76	3"								154					
	M76	3"								162					
THT-27	M80	-	265	15	176	73	180	286	233	162	104	48	77	110	25
	M85	3 1/4"								162					
	M90	3 1/2"								174					
	M95	3 3/4"								185					
	M100	4"								200					
										212					



ULTRA HIGH PRESSURE HAND PUMP PNEUMO HYDRAULIC PUMP

(Max. Working Pressure 1600 bar)



Model No	Pressure 2 nd stage	Usable Oil Vol.	Wt
THP 2P2-5-2	1600 bar	1.5 Ltrs	7 kg
THP 2P2-5-4	1600 bar	2.4 Ltrs	10 kg

Technical Data :

Model No	TPP-1BT
Pressure Ratio	1:370 bar
Outlet Pressure Max.	2000 bar
Utilities	OIL
Flow Max	Depending on Application
Connection Inlet	Drive Air-3/8" BSPF
Connection Outlet	9/16-18 UNF(F)
Air Drive Pressure	Max. 6 bar
Weight	20kg. without Oil



TORQUE WRENCH

PNEUMATIC TORQUE WRENCH



Technical Data

TYPE	Torque (Nm)	Square drive min-max	Gear diam. (mm) D	Height (mm) H	Weight (kgs)	No-load speed
TPT-80	40-880	3/4" & 1"	88	360	6	19
TPT-120	40-1200	1"	88	360	7	19
TPT-250	70-2500	1"	88	410	7	7,5
TPT-400	70-4000	1 1/2"	88	410	8	7,5
TPT-500	100-5000	1 1/2"	88	460	9	2
TPT-600	400-6000	1 1/2"	130	420	12	2,8
TPT-1000	450-10000	1 1/2"	130	460	16	1,8
TPT-1200	600-12000	1 1/2"	175	470	18	1,8

ELECTRIC TORQUE WRENCH

Technical Data

TYPE	Torque (Nm) min.-max.	Gear diam. (mm) D	Height (mm) H	Weight (kgs)	No-load speed	Square Drive
TET-81	150-850	88	540	8	16	3/4" & 1"
TET-101	280-1200	88	540	8.2	14	1"
TET-241	360-2500	88	570	9.5	10	1"
TET-351	360-3500	88	580	10.4	9	1 1/2"
TET-501	700-5000	88	630	12.6	3	1 1/2"
TET-601/1	816-6000	130	615	15.9	6.5	1 1/2"
TET-901	1024-10000	130	645	18.9	2,5	1 1/2"

All above Models of Electric & Pneumatic Torque Wrench are also available in angle design.

Note : Any other Non Standard/Customized items can be manufactured on request.



TORC STAR BOLTING TOOLS

OFFICE : No. 227, Lodha Supremus 2,
Road No. 22, Wagle Estate, Thane (W) 400604.
Mob.: +91 9811313420 / +91 9820120501
Email: sales@torcstar.com | Website: www.torcstar.com

FACTORY :
Plot No. 268, Pandey Industrial Estate,
Pokhran Road No. 1, Upvan, Thane (W) 400 606, India.
Tel.: 91-22-2585 3106 / 2588 4343

USA OFFICE :
1736 125th Avenue SE
Bellevue, WA 98005
Tel.: #334-714-0945
Email: usa@torcstar.com



ISO 9001:2008

www.torcstar.com

