

PNEUMATIC PUMP

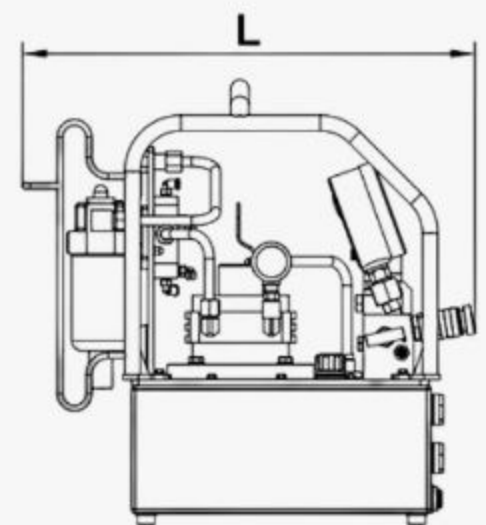
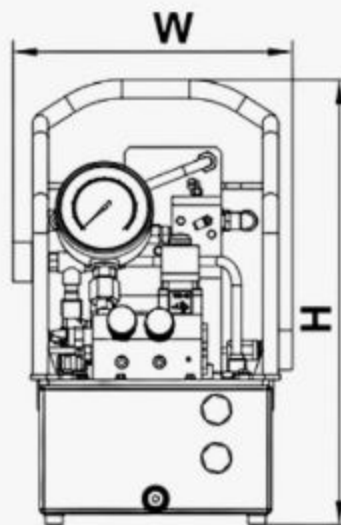


Features:

- Input air(4-8 bar).
- Compact automatic three stage flow, can start in high pressure.
- Applicable on one or two wrenches simultaneously.
- Aluminum oil tank with oil gauge. Total weight only 21.5 kg.
- Have 100 high pressure gauge.
- Infinitely variable pressure adjustment between 70~700 bar.
- With the high efficiency cooling system makes the pump suitable in extreme environment.
- Optional components(FP4),can operate four wrenches at the same time.

Additional Features:

- Pressure Relief Button to release the pressure in the case of Pump stopped.
- Air Relief Port to ensure the operation of pump in cold & hot condition.
- Pressure adjuster & pressure relief valve.



PNEUMATIC PUMP PARAMETERS

Model	TPP-10TW-2	TPP-10TW-4
Operating Wrench	2	4
Tank Capacity	8L	8L
Flow (Low-Medium-High)	8.6-2.2-1.1L/min	8.6-2.2-1.1L/min
Output Pressure	70~700 bar	70~700 bar
Air in	4~8 bar	4~8 bar
Power	3KW	3KW
Weight	21.5Kg	23.5Kg
Volume	289X407X450mm	289X407X470mm